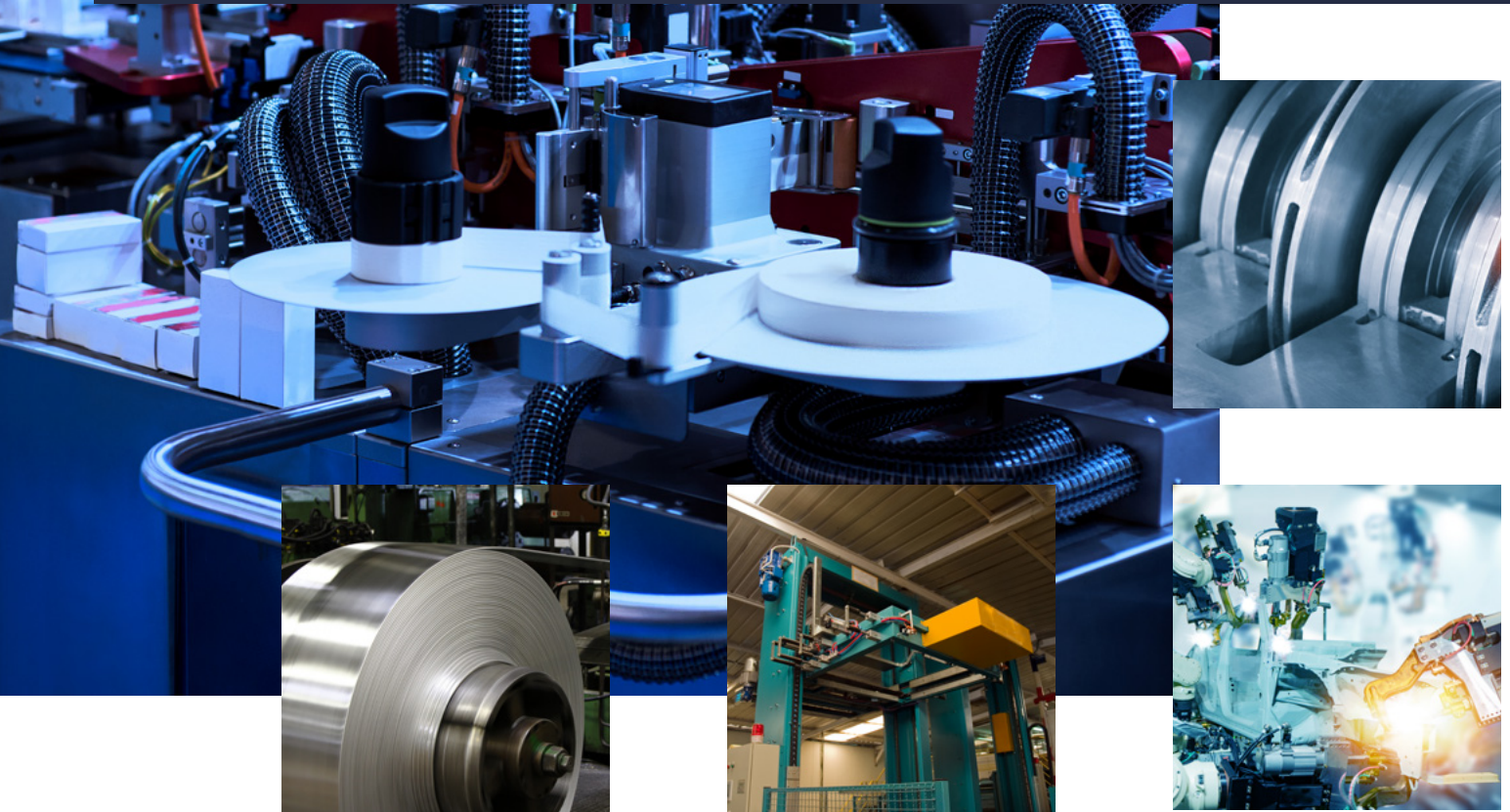


# Diamond Roll-Ring®

## Industrial Applications Brief



**With guaranteed, maintenance-free operation and lower cost of ownership, Diamond Roll-Rings can solve Slip Ring related performance issues for a wide variety of industrial applications.**

Diamond-Roltran leverages a heritage in designing and manufacturing precision rotary assemblies to deliver a new solution for industrial applications.

Diamond Roll-Rings deliver superior performance to any system requiring rotary transfer of electrical power, signal or data.

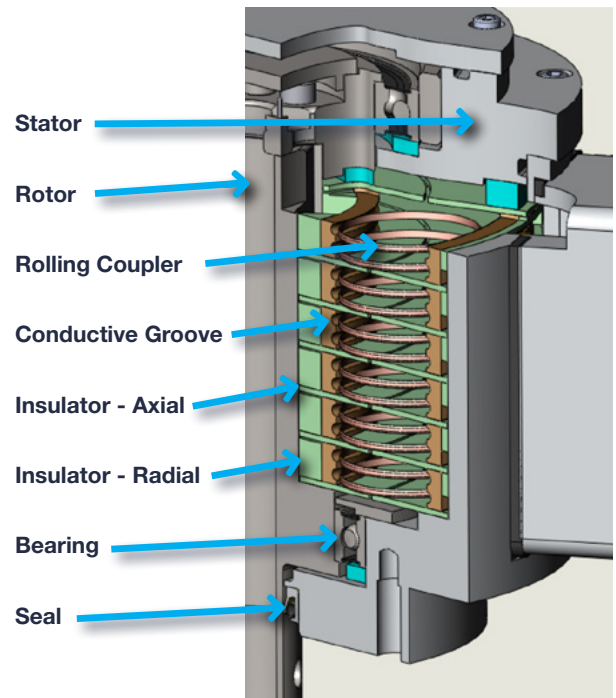


## Key advantages of rolling electrical contact:

- 100x less friction with rolling vs. slipping contact
- No Maintenance
- No wear debris
- No lubrication required
- Operates at high speed, high temperature, high shock, and high vibration
- High power handling with low contact resistance, over life of the system
- High data transfer rates over life of the system
- Very low torque
- Avoiding unscheduled down time
- Customer life tested to over 200 million revolutions

**Roll-Rings fit the same form and fit of slip rings for simple change-over. Use Roll-Rings to upgrade mercury slip rings, brush slip rings or cable wrap in a variety of applications:**

- Turn Tables
  - Access Turntables
  - Revolving Stages
  - Test Laboratories
  - Video Signal Rotator
- Laminating Machinery
- Heated Rollers
- Packaging
- Centrifuges
- Semiconductor Manufacturing
  - Automated Material Handling Systems
  - Wafer Polishing & Lapping
- Wind Turbines
  - DFIGs
  - Blade Pitch
- Medical Equipment



**Standard Multi-Channel Roll-Ring  
(modular to over 300 amps)**

Diamond-Roltran will work with your design team to provide either a standard Roll-Ring or a unique solution tailored to the performance needs of your system.

To discover how Diamond Roll-Rings can enable your industrial application please utilize the RFQ section at [www.diamondroll-ring.com](http://www.diamondroll-ring.com) or call +1 978-679-3135 to start a conversation with a Diamond Roll-Ring Engineer.

Diamond-Roltran LLC, 59 Porter Road, Littleton, MA 01460 +1 978-679-3125

Diamond Roll-Ring® is a registered trademark of Diamond-Roltran, LLC.

